

Choices.





The Choices System has been awarded the SCS (Scientific Certification Systems) Indoor Advantage™ certification for indoor air quality.



Freedom of choice is a powerful thing. What matters today
may be different tomorrow, so it's important
to keep your options open — to have choices.





¥ Choices Panel System creates the foundation for your work environment.

¥ Choices gives you the flexibility to create unique work spaces, from simple start-up offices to sophisticated business environments.





¥ Choices products includes both panel-hung and freestanding systems and components, along with coordinating filing, storage and tables.

¥ All Choices products integrate seamlessly — functionally and aesthetically — for a complete office solution.

¥ Intrinsic[®] Pedestals, Laterals and Cabinets may also be used as an alternative Filing and Storage solution.



¥ Segmented Choices provides a segmented aesthetic in a space-saving 2-inch profile.

¥ Integrates and aligns with the segmentation of Contrada System Tiles.





¥ Choices Freestanding is durable, standing up to the most demanding environments.

¥ Completely modular for easy installation and reconfiguration.

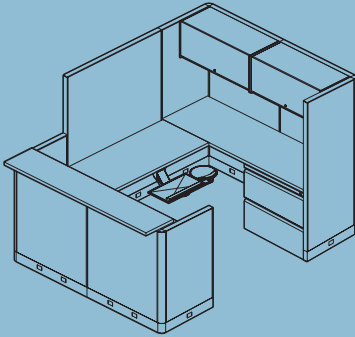


Choices full line of Filing and Storage offers design flexibility to meet any specification.

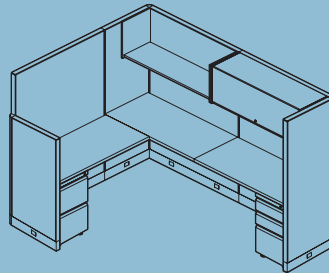


When you have Choices, you get to work faster. Trendway's Xpress quick-ship program is the best in the industry. Most orders ship complete within three days.

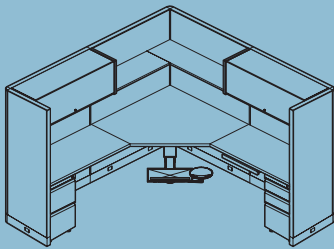
Consult your dealer for a workstation that meets your exact needs.



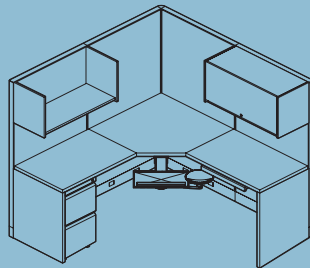
Xpress Reception Workstation



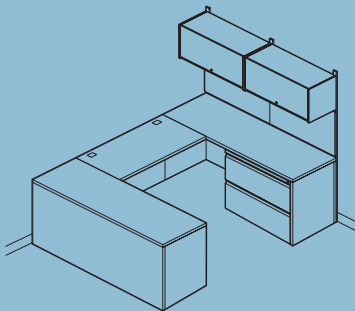
Xpress 6X8 Workstation



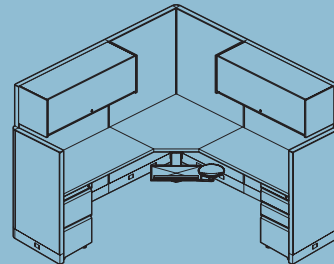
Xpress 8X8 Workstation



Xpress 6X6 Workstation



Xpress Private Workstation



Xpress 7X7 Workstation

Choices FAP with Beltway



POWERPAC® electrical harness quick connect design for easy workstation configuration.

FAP, FAPB and Segmented Choices panels have a top cableway capacity of 30 Category 5e cables.



Choices FABP can accommodate both an electrical system and data cables at the beltway cableway.

Base cableway holds up to 16 Category 5e cables with electrical, 50 Category 5e cables without (applies to all Choices panels).

Experience Trendway's
Exceptional Service

On Time

99.9% on time and
complete shipments –
an industry best.

**On Time
Or Free**

In Time

80% of standard orders ship in
2 weeks or less.

Trendway Xpress® orders average
3-day shipping.



Other quality products offered by Trendway

Intrinsic®



Freestanding

Intrinsic®



Filing and Storage (steel)

Choices®



Contrada®



TrendWall®



Seating

