



Redefining storage.

- Extremely versatile
- Aesthetically appealing
- Built to last



**WORKING
FOR
YOU**

■ Mix and match any style to maximize your business space.



So much to store...too little space and time...constant change... yet businesses still need to nurture employee efficiency and respond quickly to new demands. The solution? KI's 700 Series® Filing and Storage. An essential part of KI, 700 Series lateral files, pedestals, storage units, bookcases, and vertical files are compatible with a variety of furnishings. More than just storage units, 700 Series is a filing efficiency system. It minimizes retrieval time, maximizes space and stores virtually anything safely and securely.



700 Series® Curve

Clean style. Flexible aesthetics. Unmatched durability. That's great curve appeal ... the 700 Series Curve.

With a gently curved frame and contoured drawer pulls, 700 Series Curve has a softer presence that blends nicely into any setting. And it's exceptionally versatile. Define work areas. Build walls or storage islands. Use Curve with systems products or under worksurfaces. For extra flair, ask for dimpled fronts. Wherever – or however – you use it, Curve adds visual interest to storage walls, offers accent colors to system installations and always makes a lasting impression.



700 Series® Classic

When in doubt, always go with a classic. For unmatched quality and strength that won't ever change, the 700 Series Classic line is a sure bet. Classic storage cabinets and lateral files store nearly anything and coordinate with any office layout since they come in three standard widths and 40 standard heights. Add functionality and versatility by configuring a cabinet to include both a lateral file and a storage cabinet. Store an abundance of items from writing utensils to large printouts in 700 Series pedestals. For design continuity, all mobile, freestanding, hanging and worksurface supporting pedestals match the other 700 Series files and complement KI furniture systems.

Exceptional durability, timeless design, generous storage space and amazing versatility. All at an affordable price. That's truly classic.



700 Series® Optional Pulls

By combining durable steel cabinets with attractive, simple, flat fronts, 700 Series optional pulls give you the best of both worlds. Meet specific aesthetic requirements or coordinate with existing environments by customizing lateral files, pedestals and storage cabinets. Select from four distinctive pull options: retro, bowtie, metric or arc. And, if none of these great designs meet your design vision, source your own pulls. With KI's four options and your own resources, the design options are nearly limitless.



Retro



Bowtie



Metric



Arc

■ **Redefine the meaning of workspace.**



Why adapt to your workspace? Instead, design a workspace that adapts to the way you work. With KI's 700 Series storage line, you can create an attractive office environment that also can increase efficiency and productivity. Define your style by selecting from an endless number of appealing design choices. Add to that a variety of functions to fit any task. And what you have is remarkably flexible storage. It stores nearly anything securely while keeping it close at hand.



■ **Storage that makes a statement.**

If you think storage is just a way to keep files and papers neat and orderly, it's time to take another look. KI has. With the 700 Series, we've developed a line of storage that combines function with style to make a powerful statement. Sleek designs and sturdy construction allows you to use 700 Series pieces to divide space and define work areas. With so many color, style and detail options, you can create an office environment with a true "wow" factor.

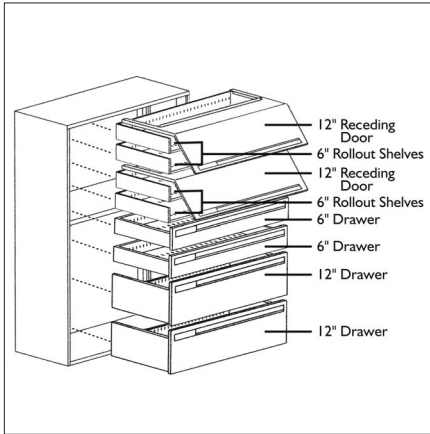




Build your own storage unit.

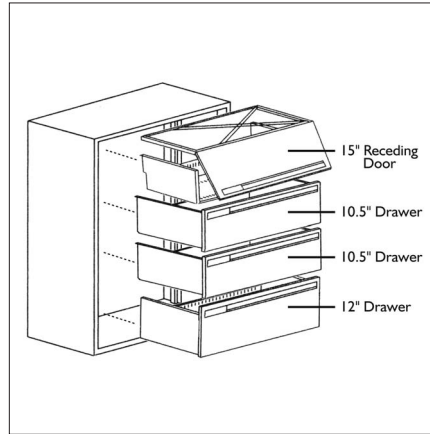
Rollout Shelf

Provides convenient access to top-level storage.



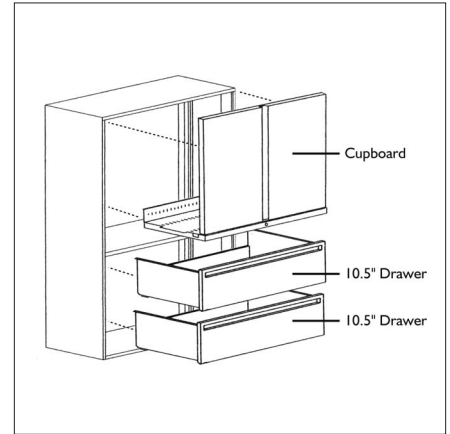
Receding Door

A great solution for end-tab filing or binder storage.



Cupboard

Perfect for storing personal items such as coats, handbags, boots and more.



Details



Security pan prevents access from drawer above. Core-removable, double-bit lock is interchangeable.



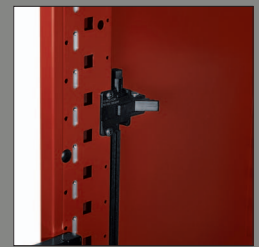
Optional interior components let you easily reconfigure cabinets based on storage needs.



Cabinet doors with inner and outer skin have increased strength and won't warp.



Flush or extended tops accommodate a variety of custom front thicknesses.



Interlock with automatic restaging prevents opening more than one drawer at a time.



Hanging folder bars in three sizes fit easily into notched, heavy-gauge drawer sides.



Euro-Hinge offers smooth, reliable door operation. Correctly align doors by adjusting hinge three ways.



No pull offers a file with pre-drilled, 128mm holes, so you can use your own file pull on the 700 Series file.



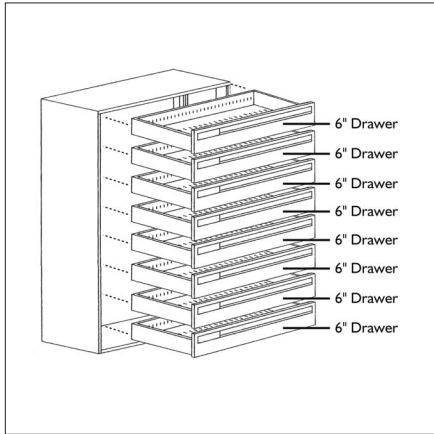
Adjustable interior options in 1/2" modular increments configure for specific storage needs.



Full-height integral door pulls eliminate protruding handles and allow easy drawer/door access.

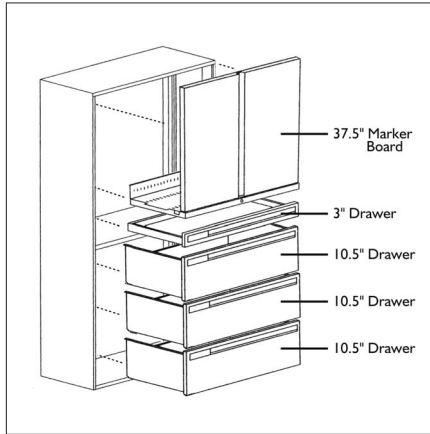
6" Drawers

Configure with a divider system to store disks, CDs, tapes, and other items.



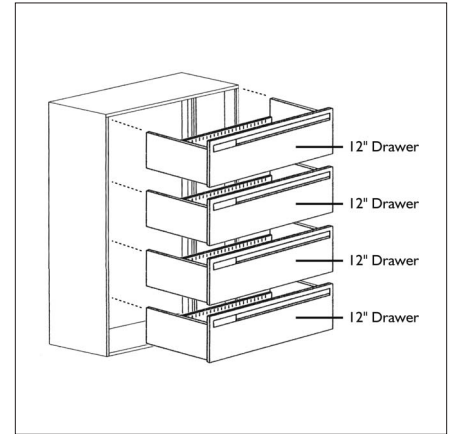
10½" Drawers

Create 25% more space and significant savings versus standard 12" drawers.



12" Drawers

Available with standard 12" drawers as one of seven drawer size options.



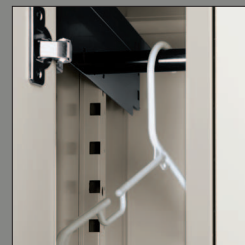
K1 direct-drive lock mechanism activates lock bars on cabinet sides for unmatched security.



Radiused pedestals enhance aesthetics and ergonomics for a unique design alternative.



Custom fronts applied to cabinets on-site should be specified without fronts.



Coat rack offers a closet at the workstation. Wardrobe units have 6" and 12" doors for coats.



Use cabinets as room dividers. Clean, seamless backs make attractive dividing surfaces.



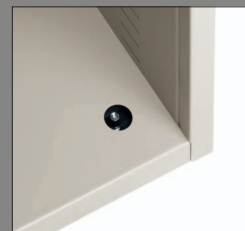
Laminate tops in a variety of styles, colors and sizes facilitate design continuity.



Posting shelf offers workspace when filing documents and can be pushed in discreetly.



Cabinet openings operate on heavy-duty, steel ball bearing, slide-arm suspensions for years of use.



Four adjustable glides level bookcases, minimizing the possibility of accidental tipping.

**You make the rules.
We make the rest.®**

Of course KI solutions work better for you. They're made for you. No one pays more attention to customer needs than we do. We don't design our furniture to win awards (even though it does). We don't rely on one-size-fits-all solutions (even though they would make our life easier). We find out what the market needs. And, we make it. The same applies to our service, distribution... everything we do. KI solutions work, because we're working for you.

KI
1330 Bellevue Street
P.O. Box 8100
Green Bay, WI 54308-8100
1-800-424-2432
www.ki.com

700 Series, KI and Working For You
are registered trademarks
of Krueger International, Inc.

© 2007 KI
All Rights Reserved.
Litho in USA.
KI-00617/AI/44/OEC/IP/507

